



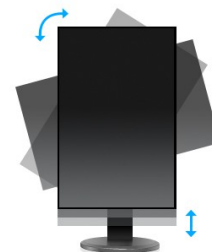
High-end 27" AMVA+ monitor featuring height adjustable stand

ProLite XB2783HSU - a 27" LED backlit LCD Screen featuring AMVA+ panel technology, guarantees accurate and consistent colour reproduction with wide viewing angles. Offering 24 bit 'True Colour' and great performance for displaying Black and White with the 3000:1 Native Contrast Ratio, means that the ProLite XB2783HSU will provide excellent performance for Photographic, Design and Web-design. The monitor features a height adjustable stand with PIVOT function making it also an excellent choice for Universities, Corporate and Financial Markets.



AMVA+

AMVA+ Panel technology offers 24 bit 'True Colour' performance and amazing viewing angles.



HAS + PIVOT

A Height Adjustable Stand allows you to set the perfect position of the screen ensuring ergonomic posture and optimal viewing comfort which benefits not only your health but also productivity. Screen rotation means you can change the position of the screen from landscape into portrait. This feature can be very handy while working with long spreadsheets or texts.

1. DISPLAY CHARACTERISTICS

DIAGONAL	27"; 68.6cm
PANEL	AMVA+ LED
DISPLAY AREA H X W	335.66 x 596.74 mm; 13.2" x 23.5"
RESPONSE TIME	4 ms
CONTRAST	3 000 : 1 typical
CONTRAST	12 000 000 : 1 ACR
BRIGHTNESS	300 cd/m ² typical
VIEWING ZONE	horizontal/vertical: 178° / 178°; right/left: 89° / 89°; up/down: 89° / 89°
DISPLAY COLOUR	16.7 million
PIXEL PITCH H X V	0.311 x 0.311 mm
NATIVE RESOLUTION	Full HD 1080p, 1920 x 1080 (2.1 megapixel)
HORIZONTAL SYNC	30 - 80 KHz
VERTICAL SYNC	55 - 75 Hz
SYNCHRONIZATION	Separate sync
ASPECT RATIO	16 : 9

2. INTERFACES & CONNECTORS

ANALOG INPUT CONNECTOR	VGA
DIGITAL INPUT CONNECTOR	DVI-D, HDMI
HDCP	yes
HEADPHONE CONNECTOR	Yes
OUTPUT CONNECTOR	headphone connector
USB HUB	UP 1 x USB 2.0 / DOWN 2 x USB 2.0

3. SPECIAL FEATURES

APPLE - MAC	All iiyama monitors are compatible with Apple-Macintosh computers.
PLUG & PLAY	VESA DDC2B™
CONTROLS	Via OSD in 10 languages (EN, DE, FR, ES, IT, PL, NL, Chinese, RU, JP) and 6 front controls (Power, Menu/ Select, Scroll up/ Volume, Scroll down/ ECO, Exit, Auto)
USER CONTROLS	auto adjust, luminance (brightness, contrast), geometry (H. position, V. position, clock, phase), colour, OSD (H. position, V. position, timeout), language, recall, miscellaneous (sharpness, DDC/CI, display information, ACR, display mode, OD, opening logo), input select, audio adjust (volume, mute, HDMI audio)
SPEAKERS	2 x 2 W (Stereo)
ANTI-THEFT-DEVICE	Kensington-lock™ prepared
CERTIFICATES	TCO, CE, TÜV-GS, VCCI-B, PSE, CU
HEIGHT ADJUSTABLE STAND	Yes
HEIGHT ADJUSTMENT	130 mm

ROTATION (PIVOT FUNCTION)	90°
SWIVEL STAND	90°; 45° left; 45° right
TILT ANGLE	22° up; 5° down
VESA MOUNTING	100 x 100 mm
COLOUR	Black

4. ACCESSORIES

DRIVER	Windows 95 / 98 / 2000 / ME / XP / Vista / 7 / 8
INCLUDED ACCESSORIES	power cable, DVI-D cable, USB cable, audio cable, stan, quick start guide, safety guide

5. POWER MANAGEMENT

POWER SUPPLY	AC 100 - 240 V, 50 / 60 Hz
POWER SUPPLY UNIT	internal
POWER USAGE	34 W typical; max. 0.5 W in Power management mode
POWER MANAGEMENT	VESA DPMS, ENERGY STAR®

6. EU ENERGY EFFICIENCY LABEL

ENERGY EFFICIENCY CLASS	B
ON MODE POWER CONSUMPTION	35.6W
ANNUAL ENERGY CONSUMPTION	52 kW/annum*
VISIBLE SCREEN DIAGONAL	69 cm; 27"; (27" segment)

This is information under Regulation (EU) No 1062/2010.

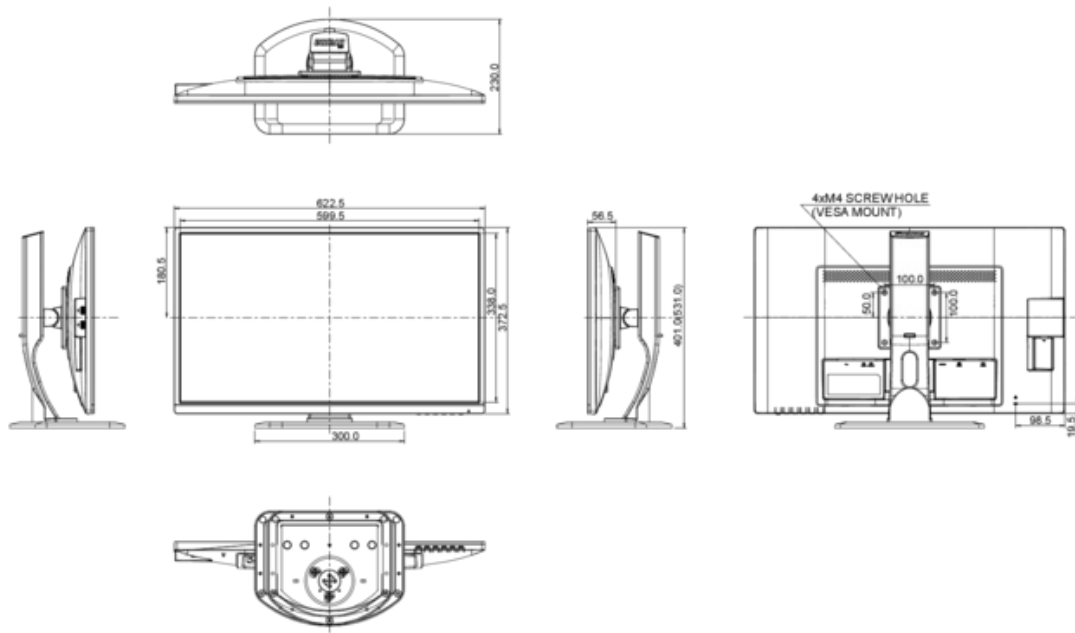
**Based on the power consumption of the television operating 4 hours per day for 365 days. The actual energy consumption will depend on how the television is used.*

7. EPEAT SILVER

EPEAT	EPEAT is a comprehensive environmental rating that helps identify greener computers and other electronic equipment. The Silver certification means the monitor meets all required criteria plus at least 50% of the optional requirements. EPEAT Silver is valid in countries where iiyama registers the product. Please visit www.epeat.net for the registration status in your country.
-------	--

8. DIMENSIONS & WEIGHT

DIMENSIONS W X H X D	622.5 x 400.5 (530.5) x 230 mm
WEIGHT	6 kg



All trademarks acknowledged. Errors and changes reserved. Product specifications are subject to change without notice. All LCD's comply with ISO-13406-2 which specifies the number and type of pixel defects.

© IIYAMA CORPORATION (). ALL RIGHTS RESERVED.